



# WALL MOUNTED WIRE SHELVING

**NOTE:** Hardware is not included. Choose the hardware appropriate for your wall construction. Shelving Inc. assumes no liability for damage resulting from improper mounting.

## Inside Your Boxes

- ✓ 2 Shelf Brackets
- ✓ 2 Mounting Plates
- ✓ 4 Corner Caps Per Shelf
- ✓ 1 Shelf

\* If black plastic shelf clips are included in the box, please disregard them. They are not needed.

01

Hold one mounting plate against the wall in the desired position and adjust it so that it is level. Using a pencil, mark the holes where you will be drilling.

Use the chart below to determine the bracket spacing appropriate for your shelf size. Measure this distance on the wall from the center of your first markings. Position the mounting plate at this distance on the wall, ensuring that it is level to the first markings. Mark the holes with a pencil.

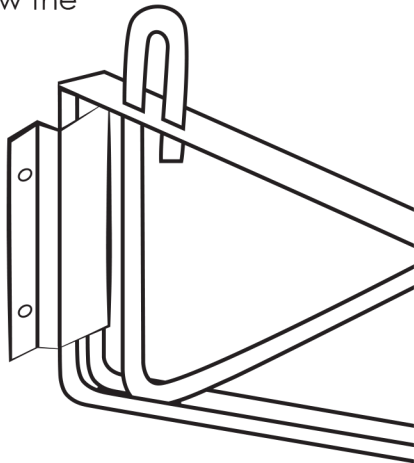
Drill pilot holes into each of the pencil marks. Add anchors, if needed.

<b>Shelf Width</b>	24"	30"	36"	42"	48"	60"	72"
<b>Bracket Spacing</b>	22.5"	28.5"	34.5"	40.5"	46.5"	58.5"	70.5"

BRACKET SPACING

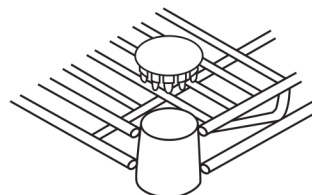
02

Place mounting plates over the back edge of the bracket. Screw the joined pieces onto the wall.



03

**OPTIONAL:** Push corner caps into the corner holes of the shelf. A rubber mallet may be necessary.



04

Add shelves to brackets, with the corner holes of the shelf going over the loops on top of the brackets.

